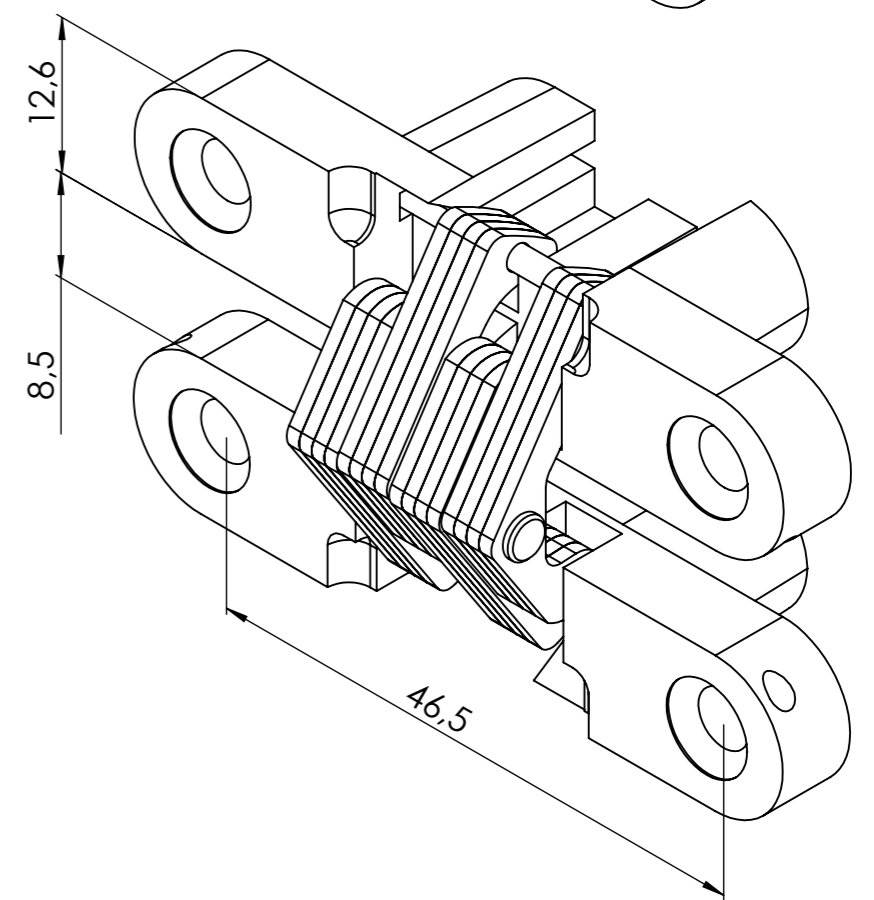
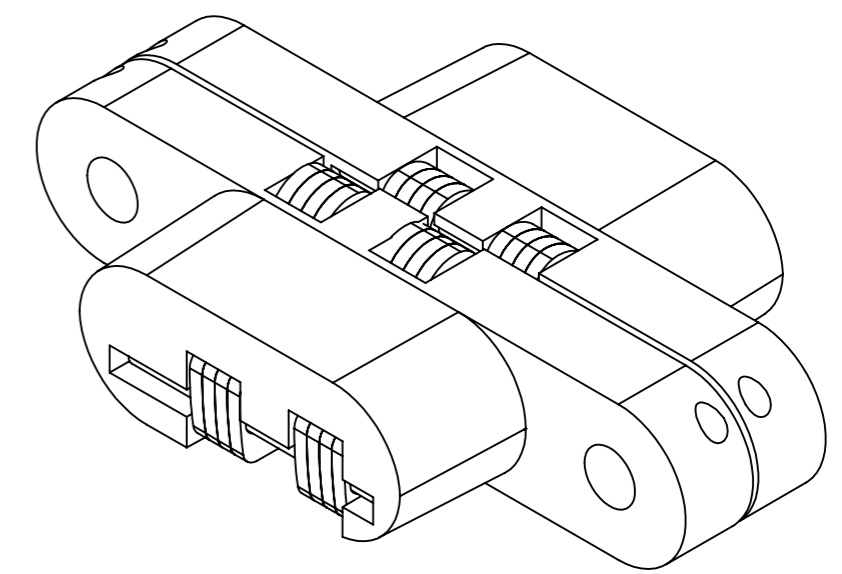
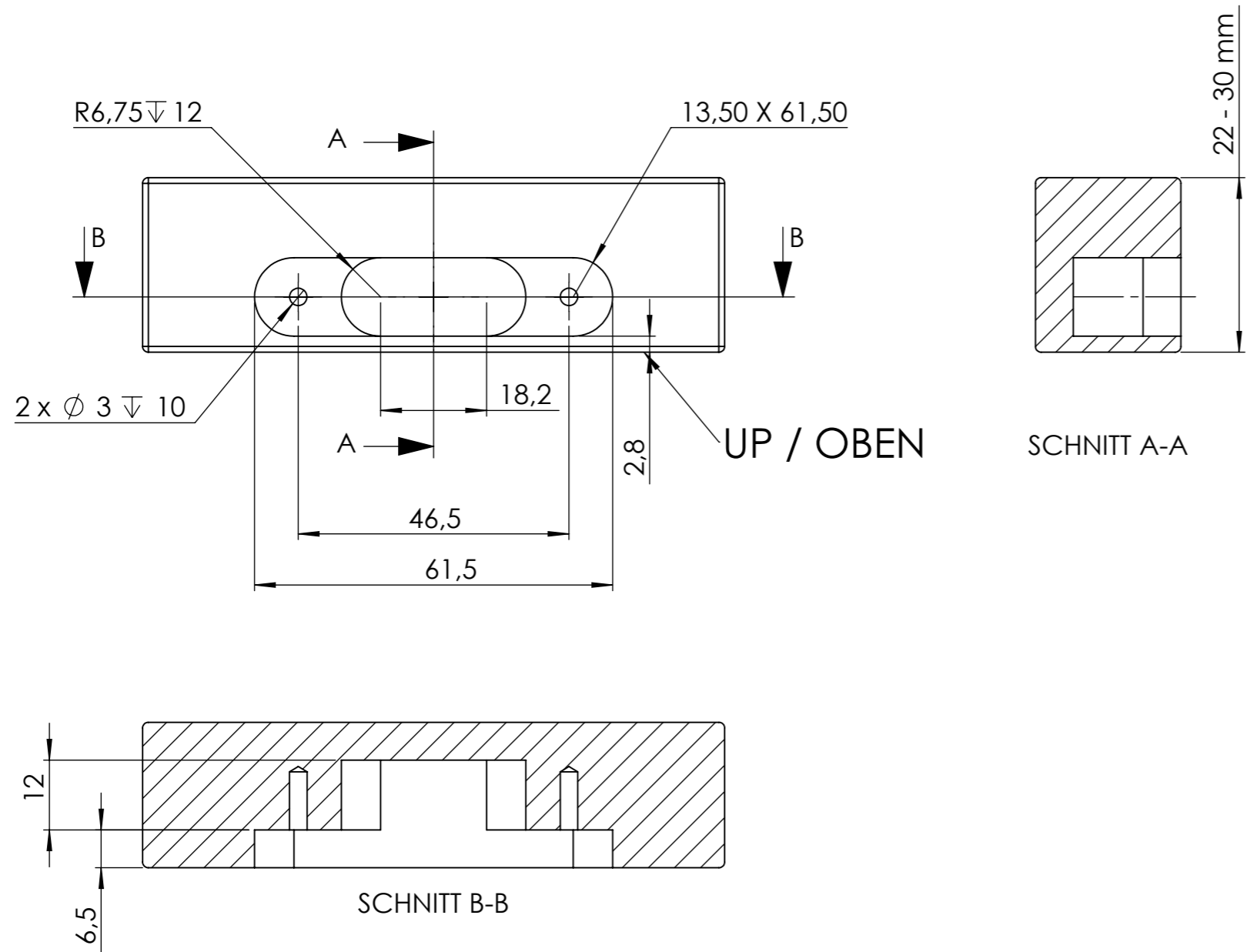
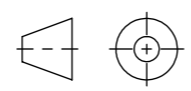



All property rights and rights to exploitation of copyright for this drawing data remain ours; they may not be made available to third parties without our consent.



Index	Change			Date	Name
 DIN ISO 128-30	Description: Frässhablone für Scharnier 15853				
	Surface:		Material:		Weight: kg
	Name		Date		Company
	Signed D.Carrera		04.02.2015		
	Tested				Second Company:
General tolerance: DIN ISO 2768 -1		Item No:	2015-032-006	Scale 1:1	Page 1/1