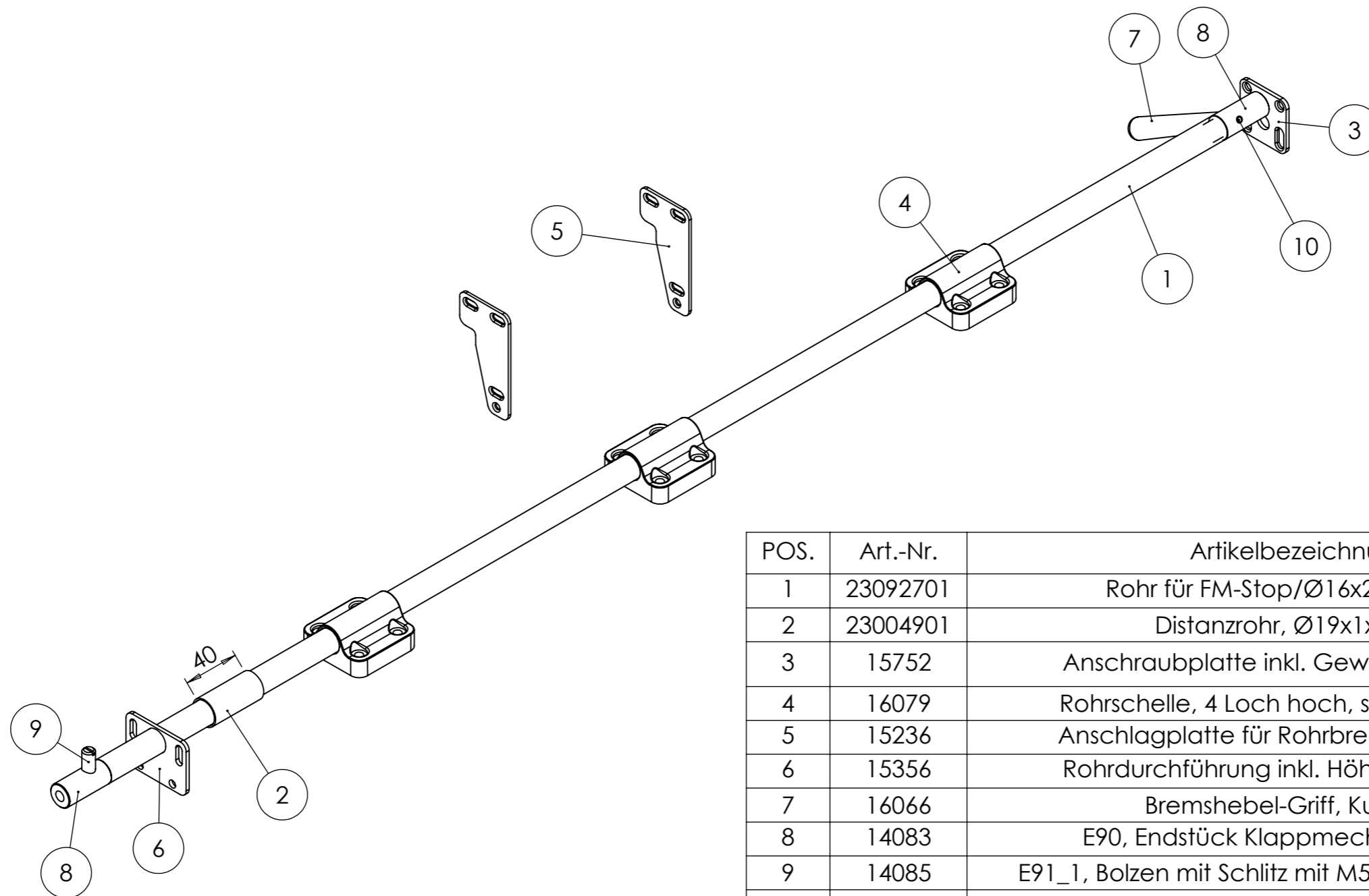
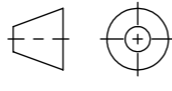



LIEFERZUSTAND / DELIVERY STATE

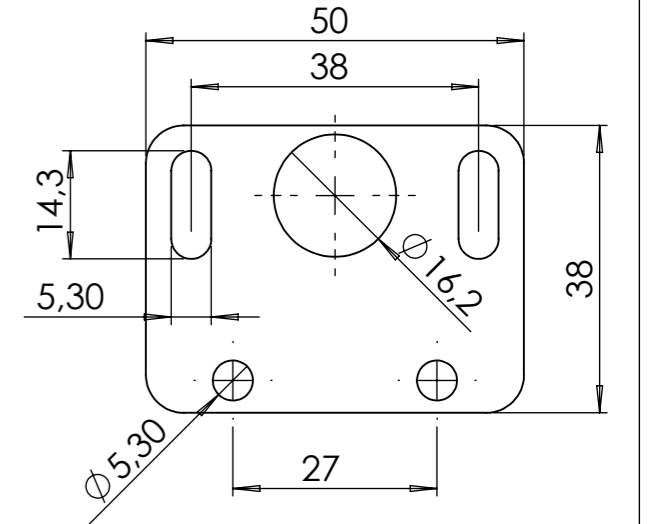
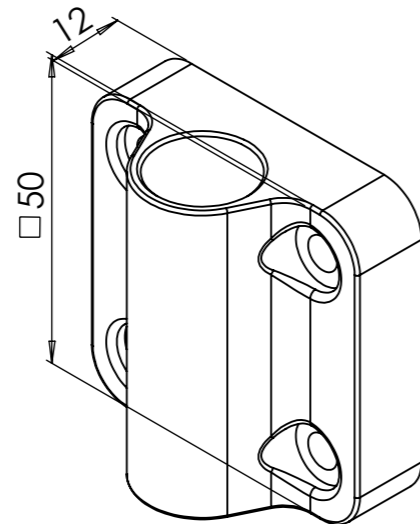
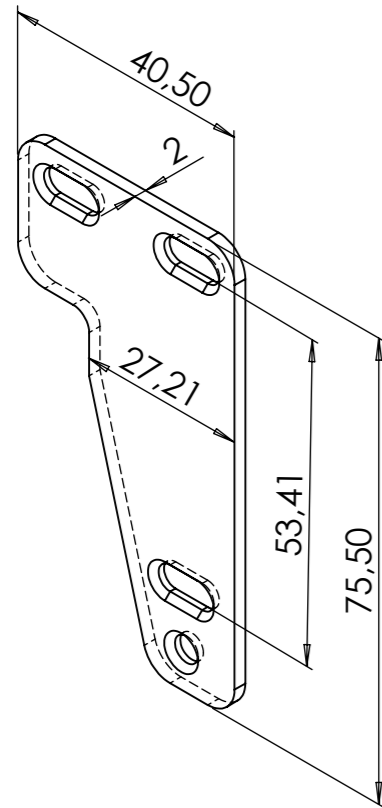
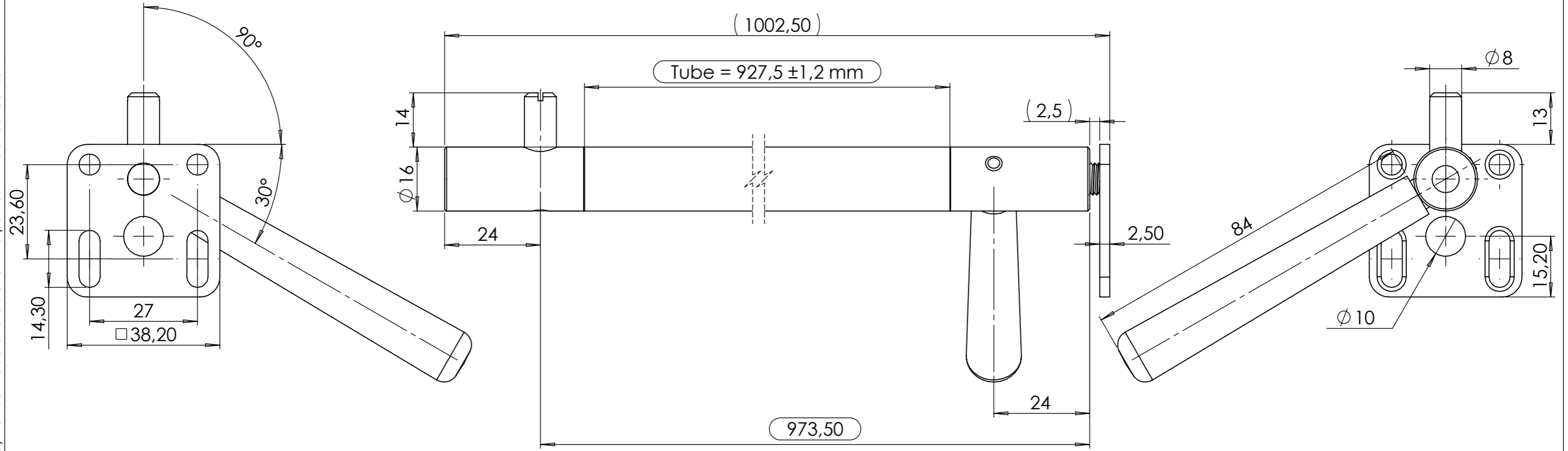


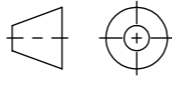

POS.	Art.-Nr.	Artikelbezeichnung	Menge
1	23092701	Rohr für FM-Stop/Ø16x2x927,5/E90	1
2	23004901	Distanzrohr, Ø19x1x40 Alu	1
3	15752	Anschraubplatte inkl. Gewindebolzen M8	1
4	16079	Rohrschelle, 4 Loch hoch, silber, PA6GF 30	3
5	15236	Anschlagplatte für Rohrbremse , Langloch	2
6	15356	Rohrdurchführung inkl. Höhenv. 38x2,5x50	1
7	16066	Bremshebel-Griff, Kunststoff	1
8	14083	E90, Endstück Klappmechanik Ø16x55	2
9	14085	E91_1, Bolzen mit Schlitz mit M5 Gewinde Ø8x29,3	1
10	14086	E91_2, Bremshebel mit Schlitz mit M5 Gewinde Ø8x96,5	1

Index	Change		Date	Name	
 DIN ISO 128-30	Description: FM-Stop/Ø16x2x1003/E91/3R+2A+1D+1x40mm				
	Surface: Galvanized		Material: diverse	Weight: 0.99 kg	
	Name	Date	Company		
	Signed	Vandyck	14.10.2013		
	Tested			Second Company:	
General tolerance: DIN ISO 2768 -1		Item No: 23100103	Scale 1:3	Page 1/3	A3

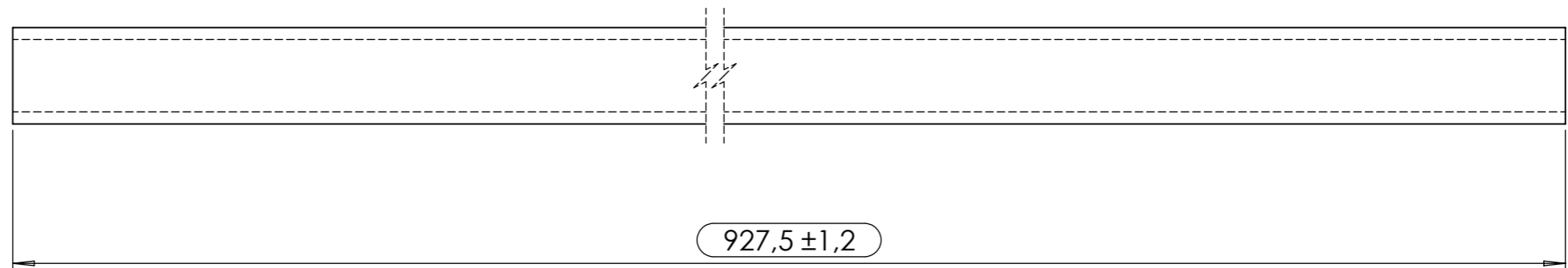
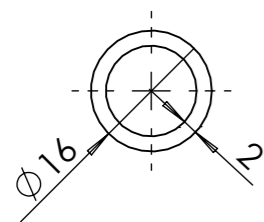
All property rights and rights to exploitation of copyright for this drawing data remain ours; they may not be made available to third parties without our consent.

All property rights and rights to exploitation of copyright for this drawing data remain ours; they may not be made available to third parties without our consent.



 DIN ISO 128-30	Description: FM-Stop/Ø16x2x1003/E91/3R+2A+1D+1x40mm				
	Surface: Galvanized		Material: diverse		Weight: 0.99 kg
	Name	Date	Company		
	Signed	Vandyck	14.10.2013	Second Company:	
	Tested	(blank)	(blank)		
General tolerance: DIN ISO 2768 -1		Item No: 23100103	Scale 1:1	Page 2/3	A3

All property rights and rights to exploitation of copyright for this drawing data remain ours; they may not be made available to third parties without our consent.



<p>DIN ISO 128-30</p>	Description: Rohr für FM-Stop/Ø16x2x927,5/E90				
	Surface: Double-galvanized		Material: 1.0037 (S235JR)		Weight: 0.64 g
	Name	Date	Company		
	Signed	Vandyck	14.10.2013	Second Company:	
	Tested	(blank)	(blank)		
General tolerance: DIN ISO 2768 -1		Item No: 23092701	Scale 1:1	Page 3/3	A3